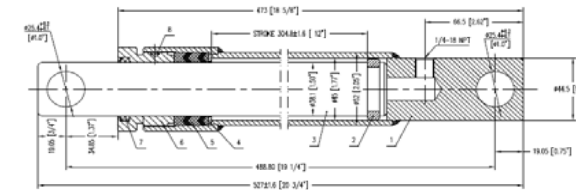
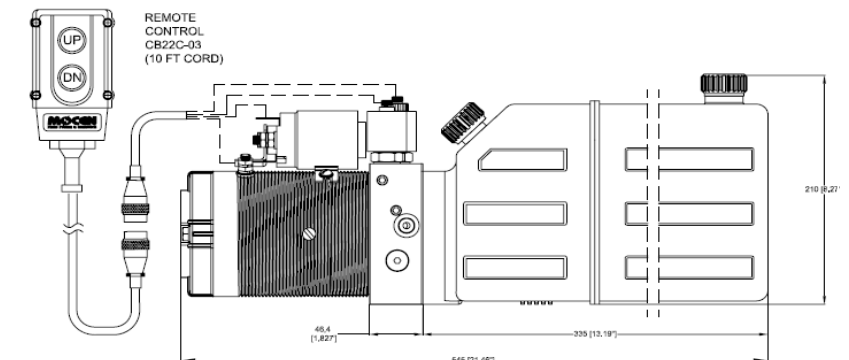
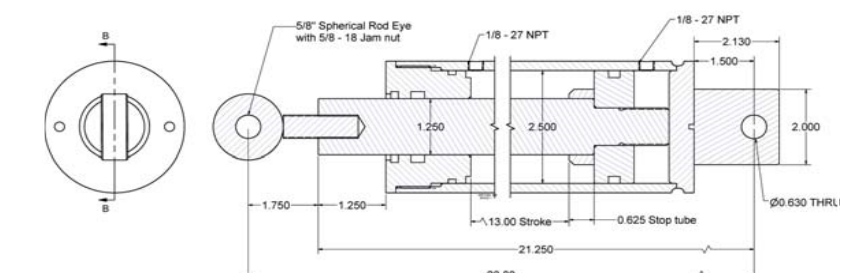
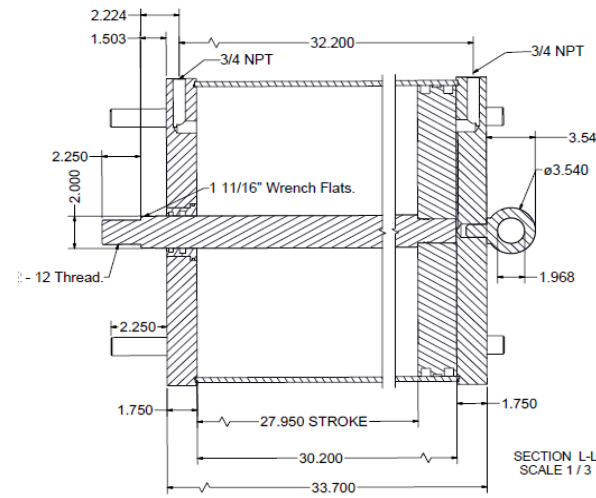




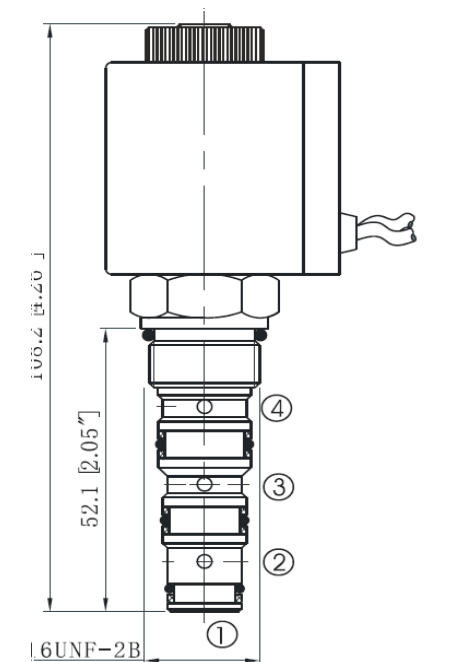
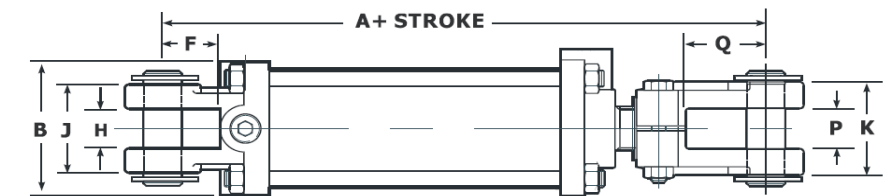
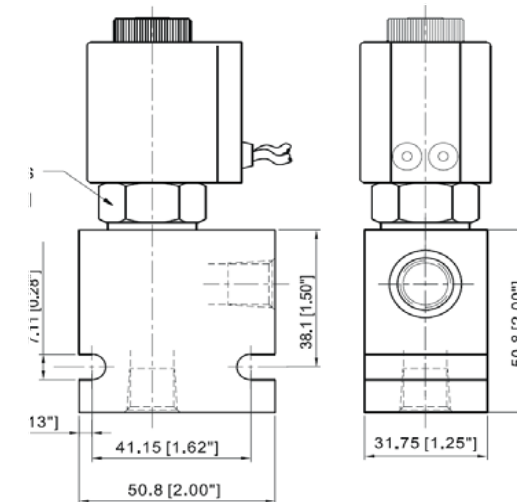
HEAD OFFICE: SALES, DESIGN AND MANUFACTURING NORTH AMERICA
 142 SUGAR MAPLE ROAD
 ST. GEORGE, ONTARIO, CANADA, N0E 1N0
 PHONE: 519-448-3055
 FAX: 519-448-3060

EMAIL: INFO@SUPERIORNUTECH.COM
WWW.SUPERIORNUTECH.COM

MANUFACTURING AND DESIGN:
 879 ZHONGJIANG RD. BUILDING 27
 SHANGHAI, CHINA, 20033



QUALITY, SERVICE, PRICE



FOR FULL CATALOGUE INFORMATION PLEASE EMAIL OR CALL



INDUSTRIAL ACTUATORS



MINI POWER PACKS AC/DC



MOBILE ACTUATORS



CARTRIDGE VALVES

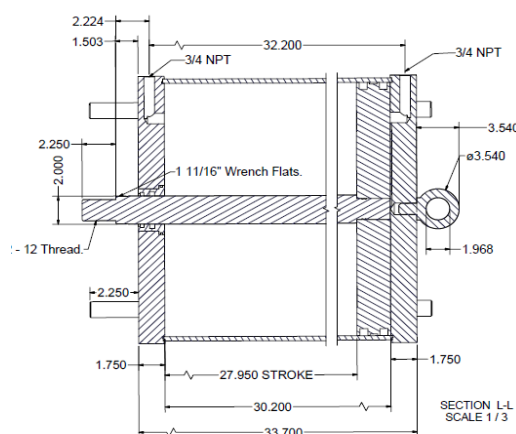
SUPERIOR NUTECH IS ALSO THE MASTER IMPORTER AND MANUFACTURING PARTNER FOR MINDMAN PNEUMATIC PRODUCTS. THESE PRODUCTS INCLUDE ACTUATORS, VALVES, AIR PREPERATION, PISCO T FITTINGS, TUBING AND MUCH MORE. TO SEE MORE OF THESE PRODUCTS PLEASE VISIT THE FOLLOWING WEBSITE OR EMAIL US FOR CATALOGUE INFORMATION.

WWW.MINDMAN.COM.TW
INFO@MINDMANPNEUMATICS.COM

INDUSTRIAL PNEUMATIC AND HYDRAULIC CYLINDERS



- NFPA PNEUMATIC ALUMINUM AND STEEL CYLINDERS
- NFPA HYDRAULIC MEDIUM AND HEAVY DUTY CYLINDERS
- PNEUMATIC VALVE ACTUATOR
- MILL TYPE PNEUMATIC AND HYDRAULIC CYLINDERS
- BORE SIZES 1.5" UPTO 14" STANDARD



- CUSTOM DESIGNED CYLINDERS
- BORE SIZES UP TO 50" BORE
- STAINLESS STEEL CYLINDERS
- REVERSED ENGINEERED CYLINDERS
- COMPLETE DESIGN CAPABILITIES
- COMPLETE MANUFACTURING



CUSTOM MACHINING

SUPERIOR CAN ALSO PROVIDE ALL KINDS OF CUSTOM MACHINING FROM ROUND PINS TO LIVE TOOLING APPLICATIONS. WITH FULL MANUFACTURING CAPABILITIES AND TOP QUALITY MACHINES WE CAN MACHINE YOUR REQUIRED PARTS AT A VERY COMPETITIVE PRICE.

MOBILE PNEUMATIC AND HYDRAULIC CYLINDERS



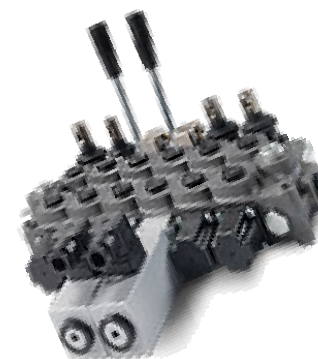
- WELDED HYDRAULIC CYLINDERS
- TIE ROD AG HYDRAULIC CYLINDERS
- TELESCOPIC CYLINDERS
- SNOW PLOW CYLINDERS
- PNEUMATIC CYLINDERS FOR TAILGATE
- CUSTOM DESIGNED CYLINDERS



- MINI POWER PACKS AC AND DC UNITS
- GEAR PUMPS
- MOTORS
- MANIFOLD BLOCKS
- CARTRIDGE VALVES AND BLOCKS



- CYLINDER COMPONENTS
- PISTONS, GLANDS, BARRELS, CROSS TUBES, CLEVIS



- SECTIONAL AND MONBLOCK VALVES
- D03 AND D05 HYDRAULIC VALVES
- SUB PLATES AND MANIFOLDS
- RELIF VALVES
- PROPORTIONAL VALVES